

CULVERT REPLACEMENT
 UNNAMED TRIBUTARY
 OF MANISTEE RIVER
 AT N. SHARON ROAD

Prein & Newhof
 Engineers ■ Surveyors ■ Environmental ■ Laboratory

CULVERT REPLACEMENT
 ON
 N. SHARON ROAD

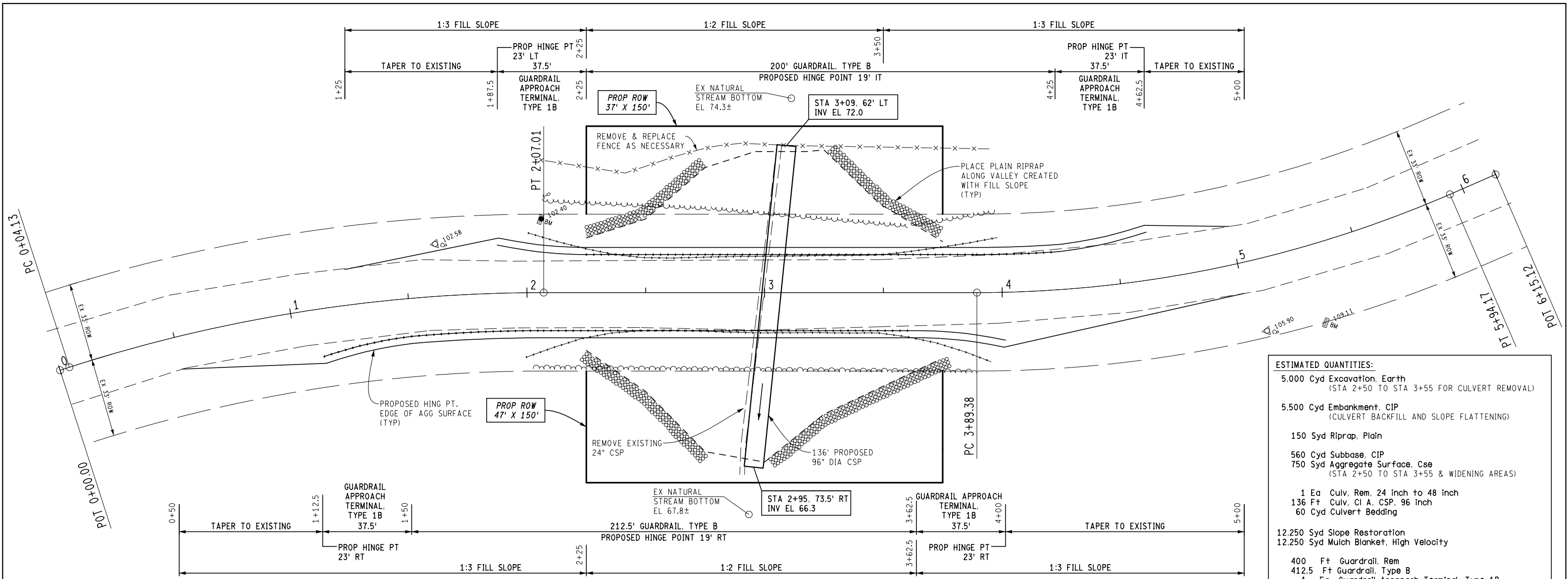
DATE	5/2/2016
DRN	CHKD
GM	KM
SCALE	NONE
DESIGN	MONROE

LOCATION MAP

CLIENT: KALKASKA COUNTY
 ROAD COMMISSION

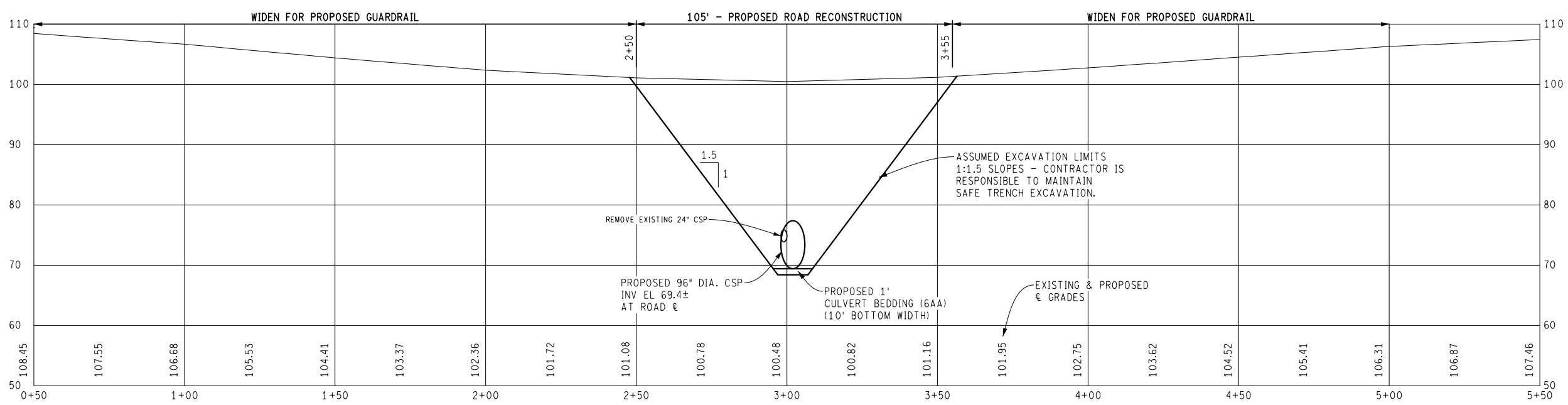
JOB NO.
 2150223

SHEET 1
 OF 3

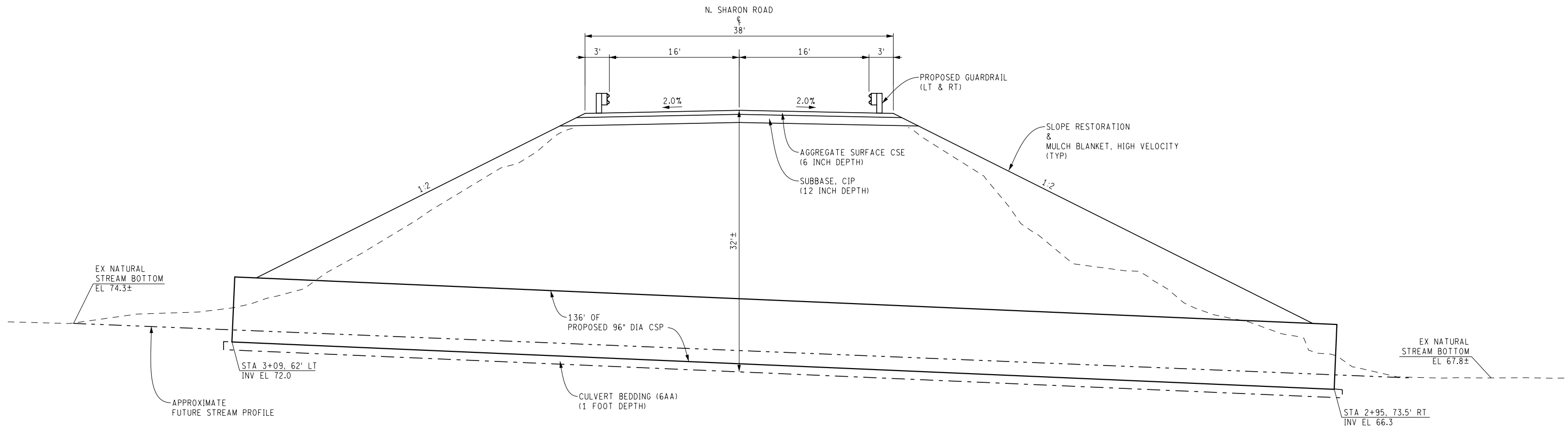


ESTIMATED QUANTITIES:

- 5,000 Cyd Excavation, Earth (STA 2+50 TO STA 3+55 FOR CULVERT REMOVAL)
- 5,500 Cyd Embankment, CIP (CULVERT BACKFILL AND SLOPE FLATTENING)
- 150 Syd Riprap, Plain
- 560 Cyd Subbase, CIP
- 750 Syd Aggregate Surface, Cse (STA 2+50 TO STA 3+55 & WIDENING AREAS)
- 1 Ea Culv, Rem, 24 inch to 48 inch
- 136 Ft Culv, CI A, CSP, 96 inch
- 60 Cyd Culvert Bedding
- 12,250 Syd Slope Restoration
- 12,250 Syd Mulch Blanket, High Velocity
- 400 Ft Guardrail, Rem
- 412.5 Ft Guardrail, Type B
- 4 Ea Guardrail Approach Terminal, Type 1B
- 16 Ea Guardrail Reflector



PROPOSED PLAN AND PROFILE



PROPOSED CROSS SECTION
TO APPLY: STA 2+50 TO STA 3+55